

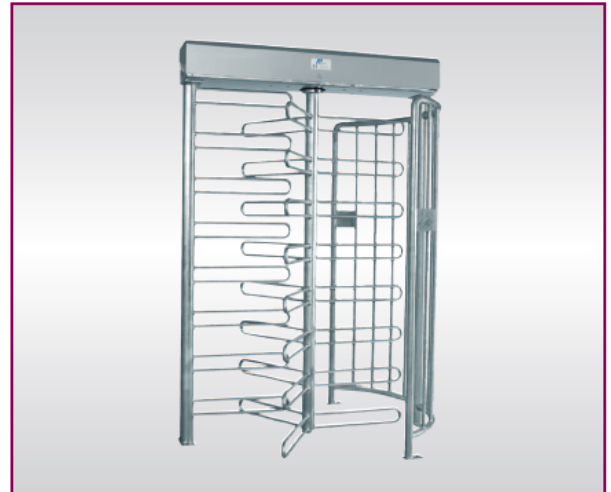
## PEDESTRIAN GATES

### MP 132 / 33 / 30

The MP series of full height security turnstiles are designed to control pedestrians entering or exiting restricted areas where perimeter control is required. This turnstile can be used for bidirectional pedestrian access control applications.

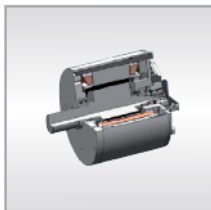
The turnstile has been designed as a modular system and can easily be assembled on site by hand and without the need of heavy lifting devices.

Additional space has also been made available for the installation of access control equipment. The turnstile is designed to be installed directly to concrete surfaces.



#### Housing and quality

The turnstile consists of an outer 'U' bar section, an outer vertical bar section, a central rotating column and a folded sheet metal enclosure in which the control and drive mechanism is installed. As standard, all sections are fully "hot dip" galvanised after fabrication and can also be powder-coated in RAL 7042 (grey) upon request. Optional RAL colours and either 304 or 316 grade stainless steel construction are also available upon request.



#### Models and technology

There are three different models of MP turnstiles: . The MP 132 (motor-driven) is based on the HTM™ technology that offers very smooth operation. The MP 33 (electromechanical) is rotated manually by the user. The locking mechanism contains a cam plate and two locking solenoids. The MP 30 (mechanical) is the most easiest model for e.g. exiting of recreational parks, public baths and smimilar venues



#### Comprehensive accessories

The MP series of full height turnstiles offers a comprehensive range of accessories like additional swing doors for e.g. cyclists, roofs, overhead lighting within the turnstile, etc. A specifically designed foundation frame provides easy installation on paved undergrounds. Customer-specific access control devices can be easily installed using the optional housing which is mounted at the outer cage section.

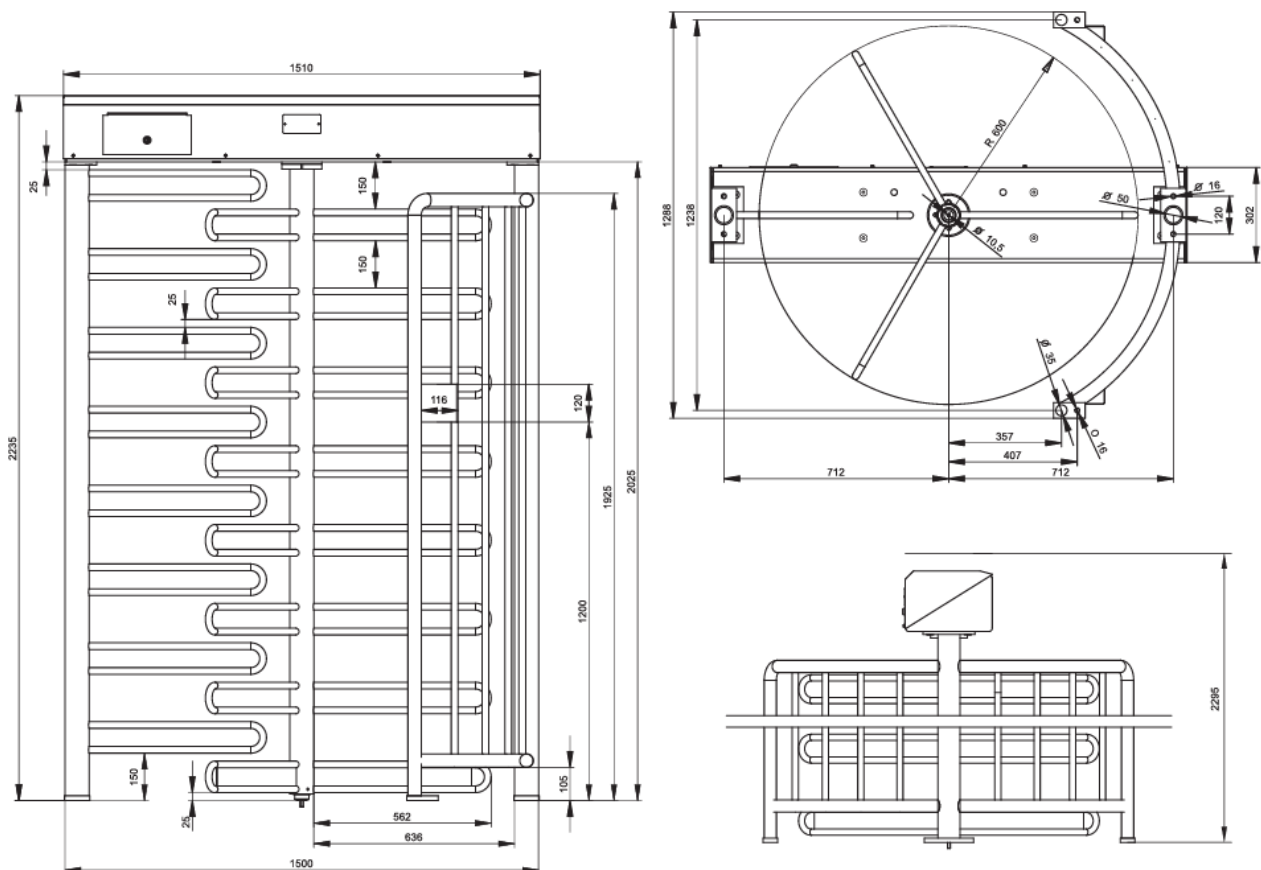


#### Safety

The drive unit of the MP 132 offers very low impact forces as well as impact detection. By default, the passage is free in case of a power failure.

Technical data	MP 132	MP 33	MP 30
Technology	motor-driven (MHTM™)	electromechanical	mechanical
Voltage	230 V AC	230 V AC	230 V AC
Frequency	50 Hz	50 Hz	50 Hz
Amperage nom. / max.	0.3 / 1.0 A	0.32 / 0.44 A	-
Duty cycle	100 %	100 %	-
Protection class	IP 43	IP 43	IP 43
Dimensions (WxLxH)	1288 x 1500 x 2235 mm	1288 x 1500 x 2235 mm	1288 x 1500 x 2235 mm
Weight	325 kg	320 kg	320 kg
Operating temperature	-25 to +45 °C	-25 to +45 °C	-25 to +45 °C

### Dimensional drawing



### Κ. ΚΑΤΣΟΥΛΗΣ – ΑΥΤΟΜΑΤΕΣ ΠΟΡΤΕΣ Α.Ε.

Λεωφ. Ελαιών 58, 145 64 Ν. Κηφισιά Τηλ: 210 62.50.203 Fax: 210 62.53.474, www.standoor.gr, e-mail: standoor@ath.forthnet.gr